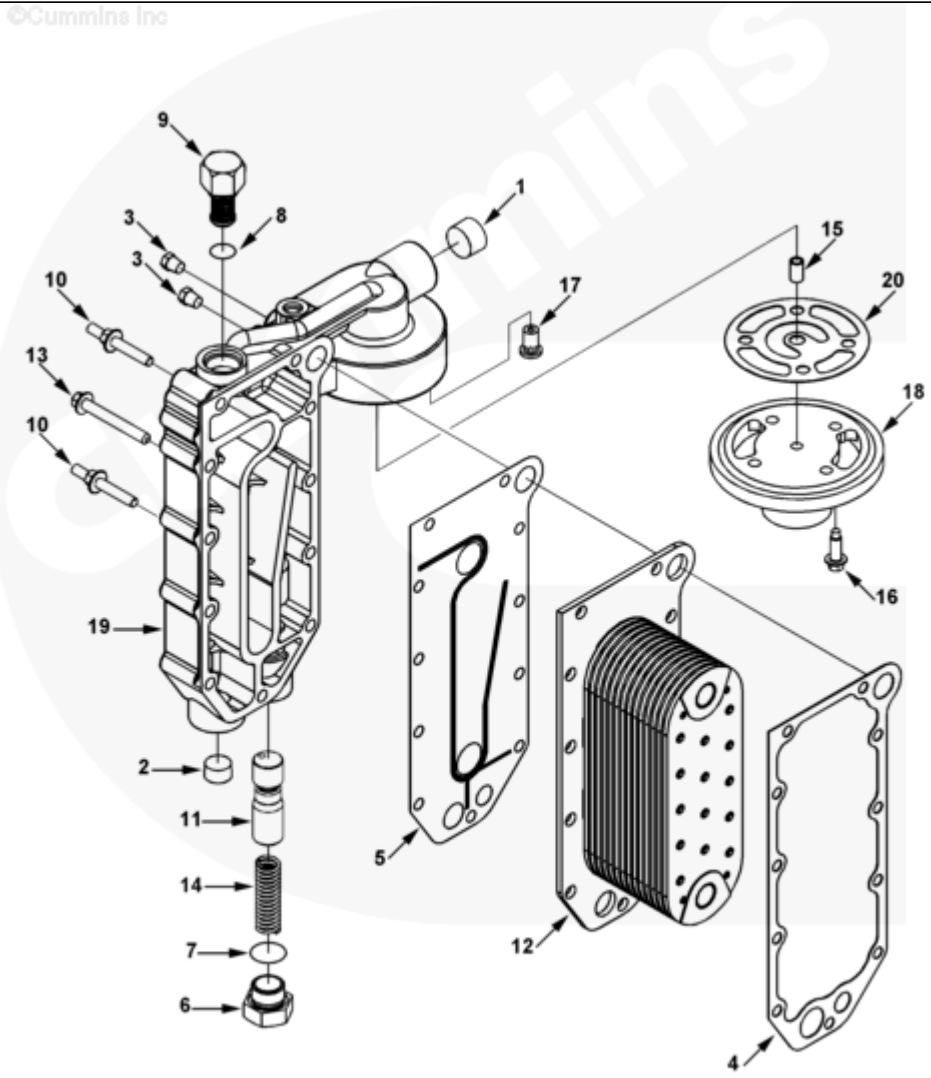




Parts Catalog - Option Detail

Electronic Parts Catalog - Option Detail				
Option	Group	Graphic	Film Card	Date
LC9297-01	07.05	lc953gq	Z	27-JUN-07
Engines	6C8.3, C GAS PLUS CM556, G8.3, G8.3 CM558, GTA8.3 CM558, ISC CM2150, ISC CM554, ISC CM850, ISC8.3 CM2250, ISC8.3 G CM2180 C101, ISL CM2150, ISL CM554, ISL CM850, ISL G CM2180, ISL8.9 CM2150 L110, ISL8.9 CM2880 L112, ISL9 CM2150 SN, ISL9 CM2250, ISL9 CM2350 L101, ISL9 CM2350 L111, ISLE4 CM850, L GAS PLUS CM556, L8.9, L8.9 L121, L8.9G CMOH2.0 L125B, L9 CM2350 L116B, L9 CM2350 L119B, L9 CM2350 L120C, L9 CM2350 L123B, L9.3 L105, L9.5 L117, L9N CM2380 L124B, QSC8.3 CM2250, QSC8.3 CM2880 C102, QSC8.3 CM554, QSC8.3 CM850(CM2850), QSL9 CM2250, QSL9 CM2250 L115, QSL9 CM2350 L102, QSL9 CM2350 L107, QSL9 CM2350 L118, QSL9 CM2350 L122, QSL9 CM554, QSL9 CM850(CM2850), QSL9 G CM558, QSL9 M CM2250 L106, QSL9.3 CM2880 L113			



lc953gq

Cart	Ref No	Part Number	Part Description	Required	Remarks
View My Cart					
		LC9297-01	Engine Oil Cooler		MR - COOLER, ENGINE OIL...(More)
					Type: 15 Plate
					Mounting Location: Block
					Cavity Exhaust Side
					Pressure Relief Valve: Yes
					Oil Flow Thermostat: Yes
					Unique Characteristics:
					Includes Three Studs for OEM
					Attachment Provision
					50 PSI Lube Cooler Bypass
					Valve
					For Marine Use Only
					Pipe Plug 3008468 May Be Used
					In Place of 4931643
					Pipe Plug 3008469 May Be Used
					in Place of 4933532
<input type="checkbox"/>	1	3008468	Pipe Plug	1	1/2 NPT.
<input type="checkbox"/>	2	4933532	Pipe Plug	1	3/4 NPT
<input type="checkbox"/>	3	3906619	Pipe Plug	1	1/8 NPT.
<input type="checkbox"/>	4	3918174	Oil Cooler Core Gasket	1	
<input type="checkbox"/>	5	3929011	Lubricating Oil Cooler Cover Gasket	1	
<input type="checkbox"/>		3931084	Threaded Plug	1	
<input type="checkbox"/>	6	3930910	Threaded Plug	1	
<input type="checkbox"/>	7	3930911	O-Ring Seal	1	
<input type="checkbox"/>		4948564	Bypass Valve	1	
<input type="checkbox"/>	8	3201562	O-Ring Seal	1	
<input type="checkbox"/>	9	4948563	Bypass Valve	1	

<input type="checkbox"/>	10	3944874	Studded Flange Cap Screw	3	
<input type="checkbox"/>	11	3945967	Pressure Regulator Plunger	1	Use W/Dump to Sump ISL Block.
<input type="checkbox"/>	12	3966365	Cooler Core	1	
<input type="checkbox"/>	13	3966976	Hexagon Flange Head Cap Screw	8	M8 x 1.25 x 65
<input type="checkbox"/>	14	3970655	Compression Spring	1	
<input type="checkbox"/>		3974326	Lubricating Oil Filter Head	1	
<input type="checkbox"/>	15	118227	Ring Dowel	1	
<input type="checkbox"/>	16	3907860	Hexagon Flange Head Cap Screw	4	M8 x 1.25 x 25
<input type="checkbox"/>	17	3936365	Pressure Relief Valve	1	
	18	3966885	Lubricating Oil Filter Head	1	
<input type="checkbox"/>	19	3974324	Lubricating Oil Cooler Cover	1	
<input type="checkbox"/>	20	3992092	Connection Gasket	1	

© 2019 Cummins Inc., Box 3005, Columbus, IN 47202-3005 U.S.A.
Terms of Use and Disclaimers | Recommended System Requirements
Need Assistance? Please click on the Contact Us button in the top right corner of any page.